

SEAS | 防爆型 氙灯管 爆闪型 警示灯
Explosion Proof Xenon Lamp Strobe Light



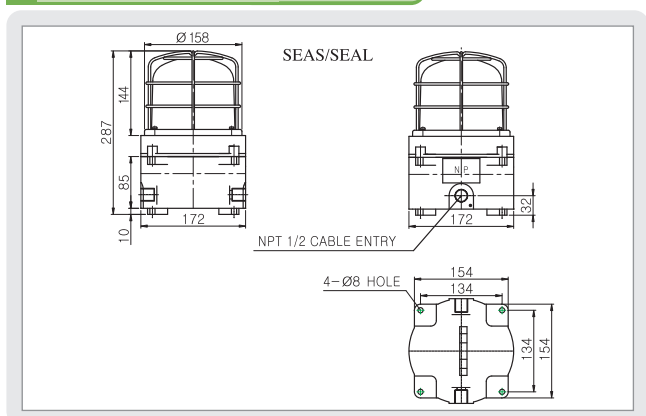
SEAS

长距离可见度优秀的爆闪型防爆产品

- 氙灯管 爆闪型, 适用于存在粉尘、雾气等的危险场所
- 灯管采用接插式结构, 更换氙灯管方便
- 材质: 内部灯罩-PC, 身体-DIECAST Al
灯罩-防爆钢化玻璃, 保护网-SUS316L
- 技术认证: KOSHA, KIMM, KR, ABS, ATEX, NEPSI
- 保护等级: KIMM, KOSHA, NEPSI - Ex d II C T6, IP66
ATEX - Ex II 2G Exd IIBT6, IP66
温度范围: $-40^{\circ}\text{C} \leq T_{amb} \leq +60^{\circ}\text{C}$
额定: 12VDC, 24VDC, 230VAC
- Xenon lamp strobe type which is suitable for areas where dust or fog permanently exists
- Lamp of connector type whose replacement is easy
- Material: Filter-PC, Body-DIECAST Al, Reflector-Heat resisting ABS, Lens-Explosion-proof tempered glass, Protection cage-SUS316L
- Certificate: ATEX, KOSHA, KIMM, KR, ABS, ATEX
- Explosion-proof class: KIMM, KOSHA, NEPSI - Exd IICT6, IP66
ATEX - Ex II 2G Exd IIBT6, IP66
Ambient temperature range: $-40^{\circ}\text{C} \leq T_{amb} \leq +60^{\circ}\text{C}$
Ratings: 12VDC, 24VDC, 230VAC

型号 Model	电压 Rated Voltage	电流 Current	重量 Weight	灯泡 Bulb	闪亮次数 Flashes Per Min.	颜色 Color
SEAS	DC12V	0.722A	3.53Kg	48	60~80	■红-R ■黄-A ■绿-G ■蓝-B
	DC24V	0.388A	3.53Kg			
	AC110V	0.133A	3.51Kg			
	AC220V	0.106A	3.51Kg			

外形图 (External view drawing)



SEAL | 防爆型 LED 长亮/闪亮 警示灯
Explosion Proof LED Steady/Flashing Light



SEAL

长距离可见度优秀的爆闪型防爆产品

- 高亮度LED长亮/闪亮型
- 采用使用寿命为半永久性的发光二极管, 适用于振动及冲击较大的设备
- 材质: 内部灯罩-PC, 身体-DIECAST Al, 反射镜-耐热性 ABS
灯罩-防爆钢化玻璃, 保护网-SUS316L
- 技术认证: KOSHA, KIMM, KR, ABS, ATEX, NEPSI
- 保护等级: KIMM, KOSHA, NEPSI - Ex d II C T6, IP66
ATEX - Ex II 2G Exd IIBT6, IP66
温度范围: $-40^{\circ}\text{C} \leq T_{amb} \leq +60^{\circ}\text{C}$
额定: 12VDC, 24VDC, 230VAC
- Product of high-brightness, steady/flashing LED type
- Having semi-permanent lifespan of light source and suitable for places where bulb replacement is difficult
- Suitable for dangerous place such as petrochemical plant, powder plant, gas station where exists possibility of explosion.
- Material: Filter-PC, Body-DIECAST Al, Reflector-Heat resisting ABS, Lens-Explosion-proof tempered glass, Protection cage-SUS316L
- Certificate: ATEX, KOSHA, KIMM, KR, ABS, ATEX
- Explosion-proof class: KIMM, KOSHA, NEPSI - Exd IICT6, IP66
ATEX - Ex II 2G Exd IIBT6, IP66
Ambient temperature range: $-40^{\circ}\text{C} \leq T_{amb} \leq +60^{\circ}\text{C}$
Ratings: 12VDC, 24VDC, 230VAC

型号 Model	电压 Voltage	电流 Current	重量 Weight	闪亮次数 Flashes Per Min.	颜色 Color
SEAL	DC12V	0.111A	3.47Kg	60~80	■红-R ■黄-A ■绿-G ■蓝-B
	DC24V	0.115A	3.47Kg		
	AC110V	0.044A	3.49Kg		
	AC220V	0.022A	3.49Kg		

- 防爆填料函是用户要求订购提供。
- 电源线 引入口 规格: NPT 1/2
- 引入口规格 NPT3/4 可以定做
- Explosion-proof cable gland is custom made.
- Power entry standard: NPT 1/2
- Entry size NPT 3/4 is custom-made.

SEAS/SEAL 产品指定 (Order Specification)

SEAL	-	220	-	R
型号 (Model)	-	电压 (Voltage)	-	颜色 (Color)
· SEAS	-	· 12-DC12V	-	■ R-红 (Red)
· SEAL	-	· 24-DC24V	-	■ A-黄 (Amber)
	-	· 110-AC110V	-	■ G-绿 (Green)
	-	· 220-AC220V	-	■ B-蓝 (Blue)

- ※ ATEX 防爆认证产品是定做产品
- ※ ATEX Certified product is custom-made.

HEAVY DUTY WARNING LIGHT